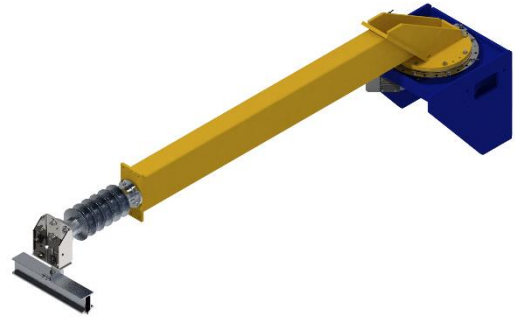


Product TracFeed® SAM OSS Swivel arm
Manufacturer Rail Power Systems GmbH
Item Code Modification: motorised
Modification: non-motorised



General

Type of unit	OSS Swivel arm
Located	TracFeed® OSS Hall

Mechanical values

	Value	Unit
Dimensions W x H: Length Pole Front Edge (range):	2440 x 590 2000 - 6000	mm
Mass: motorised non-motorised	305 - 465 280 - 440	kg
Swivel area	0...115	°
Max. Output torque (circa)	1300	Nm
Short time max. load	5,2	kN
Operating load	2,2	kN
Switching time (circa)	20	s
Operating temperature	-5 ... +45	°C
Switching cycles	> 10.000	

Electrical values

Electrical connection values	Value	Unit
Nominal voltage (U_n)	400 / 230 – 265 / 460	V AC
Supply frequency	50-60	Hz
Nominal current	1,2	A

Electric motor	Value	Unit
Power	0,18	kW
Voltage (Sternschaltung) (U_n)	400	V AC
Voltage (Dreieckschaltung) (U_n)	230	V AC
Nominal current (Sternschaltung)	0,6	A
Nominal current (Dreieckschaltung)	1,04	A
Supply frequency	50-60	Hz

Revisionstabelle

Date	Revision	Change
04.03.2024	00	