

Product Bridle wire support clamp
Manufacturer Rail Power Systems GmbH
Material number 3EGF006245



Mechanical values

	Wert
Name	Bridle wire support clamp D55
Build Type	with clamping cap
Material	AC-42100
Weight	0,86 kg
Rope Diameter	17 mm
Diameter	55 mm

Product
Manufacturer
Material number

Pulley suspension
Rail Power Systems GmbH
3EGF006819



Mechanical values

	Wert
Name	Pulley suspension wire 185
Rope Q	185 mm ²
Rope Diameter	17 mm
Weight	0,64 kg

Product Contact wire clamp support at cross-span wire
Manufacturer Rail Power Systems GmbH
Material number 3EGF007562



Epoxy resin insulator

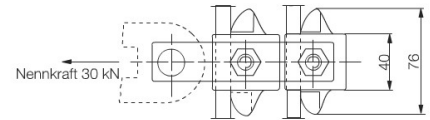
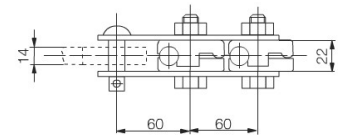
with adjustable lever

Mechanical values

	Wert
Name	Contact wire clamp support insulated DC 1.5 kV
Build Type	with circular groove pin
Weight	1,49 kg
Rope Diameter	5 - 9 mm

Product
Manufacturer
Material number

Pull-off clamps
Rail Power Systems GmbH
3EGF006920

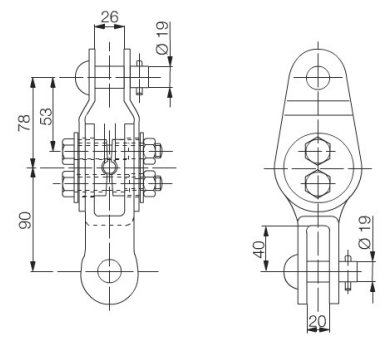


Mechanical values

	Wert
Name	Pull-off clamp 2 wires 150
Build Type	one-side connecting fishplate
Material	CC493K
Weight	1,16 kg
Rope Q	150 mm ²
Rope Diameter	16 mm

Product
Manufacturer
Material number

Cross span wire clamp wires
Rail Power Systems GmbH
3EGF001577



for span wires 50 - 95

Mechanical values

	Wert
Name	Cross span wire clamp wire 50 - 95
Ebs	Ebs 06.93.16-1 A
Material	JM1030
Weight	2,18 kg
Rope Q	50 - 95 mm ²
Rope Diameter	12 mm

Product
Manufacturer
Material number

Cross span eye clamps
Rail Power Systems GmbH
3EGF001565



Mechanical values

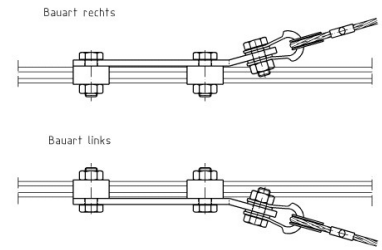
	Wert
Name	Cross span eye clamp wire 50/70
Ebs	Ebs 06.93.08-1 A
Material	JM1030
Weight	1,15 kg
Rope Q	50 / 70 mm ²
Rope Diameter	12 mm

Product
Manufacturer
Material number

Cross span wire clamps
Rail Power Systems GmbH

Product
Manufacturer
Material number

Delta wire clamps
Rail Power Systems GmbH
3EGF007424



Mechanical values

	Wert
Name	Delta wire clamp 1 CW
Build Type	left
Material	CW004A
Weight	0,43 kg